

The background features a dark blue gradient with a series of curved, glowing lines that create a sense of depth and movement. On the right side, there is a grid-like pattern of light blue lines that recedes into the distance, suggesting a digital or technological environment.

DTREAM

Optimize for Competitive Advantage

Topology Optimization

*“Design with Topology Optimization -
Inspired by natural selection of creating
optimized structure”*

Multi Modal Optimization

Topology Optimization

Drop Test Simulation

Thermal Simulations

Statistical Modeling

Life Time Prediction Correlation

FEM Structural Analysis

Computational Fluid Dynamics (CFD)

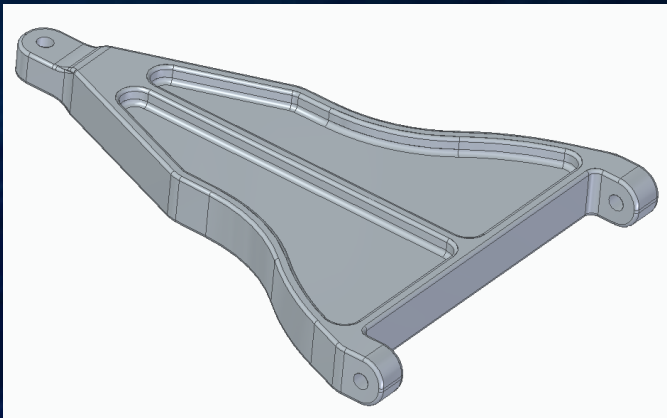
Vibration Simulations

Simulation automation pre/post-processing scripts

DTREAM

High-Tech Engineering

Traditional Design



Topology Optimized 3D Model



Input:

- *Supports*
- *Loadings*
- *Design Space*

Metal 3D Printing (AM)



Original Weight: 4.6 kg

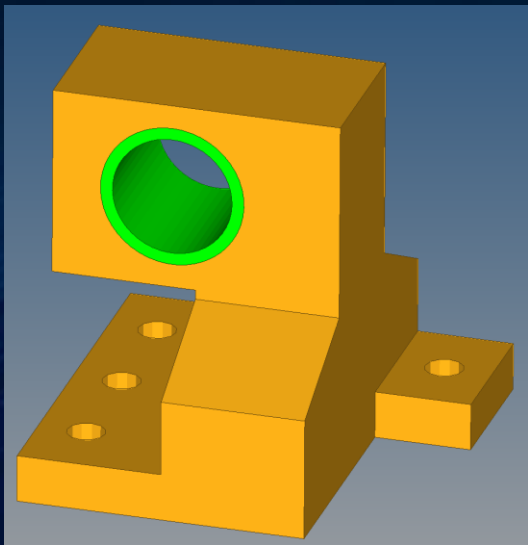
-74%

Optimized Weight: 1.2 kg

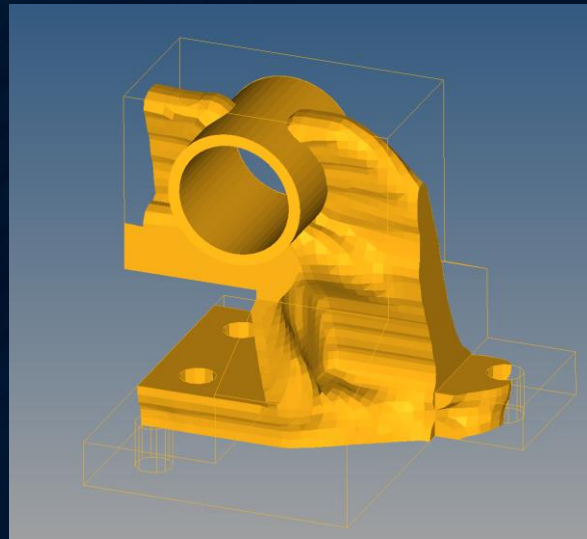
DTREAM

High-Tech Engineering

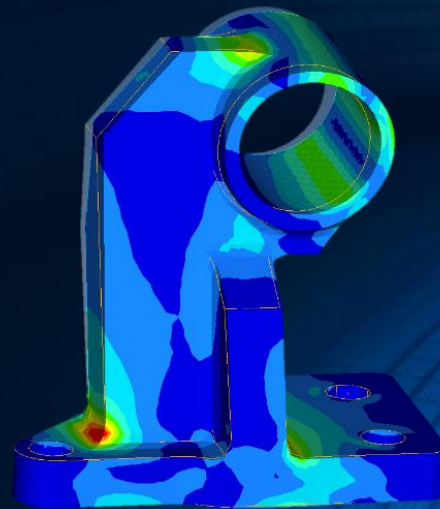
*Design
Requirements*



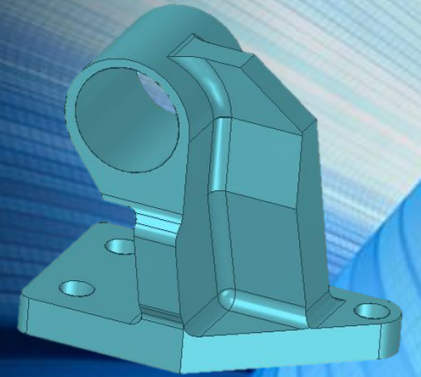
*Topology
Optimization*



*3D Modeling and
Verification*



*Traditional
Manufacturing*



*Metal 3D Printing
(AM)*



DTREAM

High-Tech Engineering

Benefits:

Cost

Development time

Material consumption

Product weight

DTREAM

High-Tech Engineering

Soukanlahdenkatu 17 A

33100 Tampere

FINLAND

www.dtream.fi